

WOODSTOWN HIGH SCHOOL

SCOPE OF WORK:
 INSTALLATION OF NEW SCOREBOARD (SEE CUT SHEETS FOR ADDITIONAL INFO.)
 DIMENSIONS OF NEW SCOREBOARD ARE 10'-0" X 4'-0" X 0'-8" AND WILL BE MOUNTED ON STEEL COLUMNS WITH REINFORCED CONC. FOOTINGS. OWNER TO PROVIDE SCOREBOARD; G.C. WILL INSTALL.

LOCATION OF NEW 10'-0" X 4'-0" X 0'-8" FIELD HOCKEY SCOREBOARD

MARY S. SHOEMAKER ELEMENTARY SCHOOL

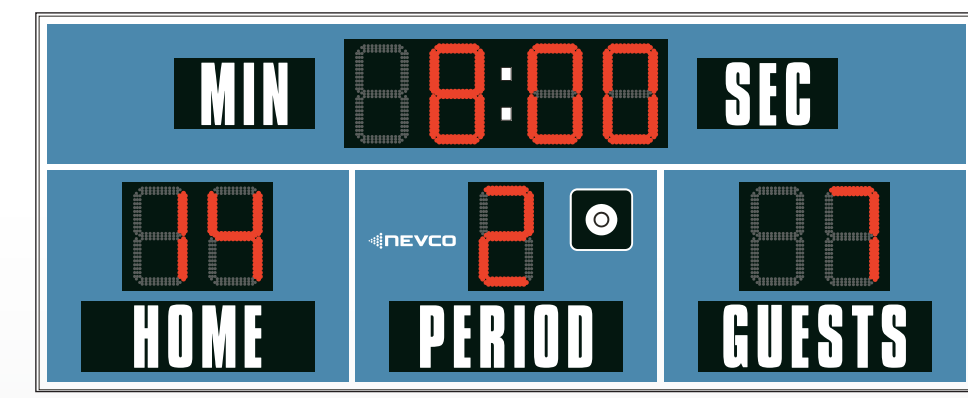
SITE PLAN

01

SCOREBOARD CUT SHEETS



Size: 10' x 4' x 8" (3.05 x 1.22 x .20 meters)
 Approximate hanging weight: 130 lbs. (59 kg)
 Digit Size: 1.4" Digit Color: High Intensity Red or Amber



- Advanced timing features ideal for combination Football, Soccer, Lacrosse and Field Hockey facilities.**
- Operate wired or wireless.
 - Bright, long lasting, energy efficient LEDs.
 - Gasketed digits reduces water intake.
 - Large digits easily seen from long distances.
 - Designed to withstand wind load speed zones exceeding 150 mph.
 - Includes built-in Horn.
 - White outline striping separates features for greatest readability.
 - Lighted time colon and decimal; automatically adjusts to 1/10th of a second.
 - Flexible mounting. Can mount directly to columns OR on laterals for complex or retro-fit installation.

Combine your scoreboard with a Nevco monochrome or full-color message center to create a complete scoring and display system. Team/Sponsor signs also available.



BUILD YOUR OWN DISPLAY AND SCORING SYSTEM ONLINE AT:
WWW.NEVCO.COM
 U.S. & CANADA: 800-851-4040 INTERNATIONAL: 618-664-0360
 FAX: 618-664-0398 E-MAIL: INFO@NEVCO.COM

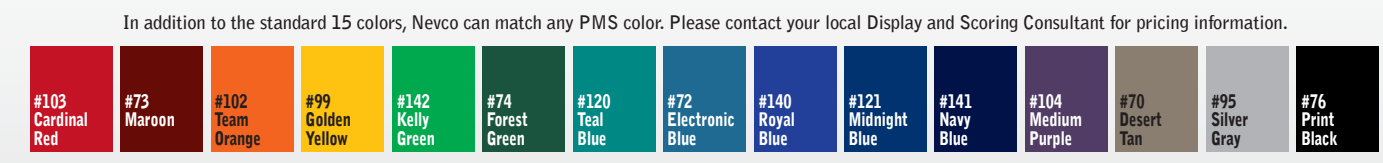
INTEGRATED DISPLAY AND SCORING SOLUTIONS



Model 3650 (Outdoor) Football/Soccer/Lacrosse/Field Hockey Scoreboard

SCOREBOARD/CONTROL OPERATING FEATURES

MODEL 3650	MPCW-4/5/6	MPCW-7	MPCX WIRELESS
TIMING 1.4" High Intensity Red or Amber LED Digits Any number can be set between 0:00-99:59. 1/10th seconds display during final minute.	Bi-directional UP or DOWN count. Any number can be set between 0:00-99:59. 1/10th seconds display during final minute.	Bi-directional UP or DOWN count. Any number can be set between 0:00-99:59. 1/10th seconds display during final minute.	Bi-directional UP or DOWN count. Any number can be set between 0:00-99:59. 1/10th seconds display during final minute.
TEAM SCORES 1.4" High Intensity Red or Amber LED Digits Displays 0-99	Displays 0-99	Displays 0-99	Displays 0-99
PERIOD 1.4" High Intensity Red or Amber LED Digits Displays 0-9	Displays 0-9	Displays 0-9	Displays 0-9
TIME OF DAY In place of displaying game time on the scoreboard, the "time out" time may be displayed or the "time of day".	In place of displaying game time on the scoreboard, the "time out" time may be displayed or the "time of day".	N/A	N/A
HORN Sounds automatically at 0:00 for a minimum of two (2) seconds. May omit automatic horn. Can sound manually at any time.	Sounds automatically at 0:00 for a minimum of two (2) seconds. May omit automatic horn. Can sound manually at any time.	Sounds automatically at 0:00 for a minimum of two (2) seconds. May omit automatic horn. Can sound manually at any time.	Sounds automatically at 0:00 for a minimum of two (2) seconds. May omit automatic horn. Can sound manually at any time.
JUNCTION BOX One (1) 4" x 2 1/8" x 2 1/8" with cover, to be installed in dry location (over box), furnished.	N/A	N/A	N/A
CONTROL CABLE One (1) length required of 2-WIRE (coaxial type) 1/4" diameter. Order length required.	N/A	N/A	N/A
SEGMENT TIMING	Supported.	Supported.	Requires MPCX segment timer control.



AGENCY APPROVAL: UL/CUL listed, FCC, CE, INDUSTRY CANADA.
SCOREBOARD: Size 10'L x 4'H x 8"D (3.05 x 1.22 x .20 meters), constructed of aluminum. Scoreboard has 1" white outline striping. Four (4) brackets provided for mounting. Hanging weight approximately 130 lbs. (59 kg).
CAUTIONS: HOME, GUESTS, MIN, SEC, PERIOD, white 8" high.
LED UNITS: Seven-bar segmented digits with protective aluminum cover. **POWER:** 120 VAC, 7 Amps, 50/60 Hz; 240 VAC, 0.7 Amps, 50/60 Hz. Requires earth ground.
BUILT-IN LIGHTNING PROTECTION: All models feature fiber-optic isolation circuitry providing additional protection against lightning strikes.

GUARANTEE: TO VIEW OR RECEIVE THE MOST RECENT COPY OF OUR GUARANTEE, PLEASE VISIT: WWW.NEVCO.COM/INFO/GUARANTEE.PHP
 U.S. SERVICE: 1-800-851-4040 INTERNATIONAL SERVICE: 1-618-664-0360 CANADA SERVICE: 1-800-461-8590



BUILD YOUR OWN DISPLAY AND SCORING SYSTEM ONLINE AT:
WWW.NEVCO.COM
 U.S. & CANADA: 800-851-4040 INTERNATIONAL: 618-664-0360
 FAX: 618-664-0398 E-MAIL: INFO@NEVCO.COM

PRINT DATE: 6/2/20
 REGAN YOUNG, AIA
 21A00912100

REGAN YOUNG ENGLAND BUTERA
 REFERENDUMS • ENGINEERING • ARCHITECTURE • DESIGN
 456 HIGH STREET • MT. HOLLY, NEW JERSEY 08060 USA
 +1(609)265-2652/0333FAX • 21A00912100 • RYEBREAD.COM

PROPOSED SCOREBOARD LOCATION
 WOODSTOWN HIGH SCHOOL
 140 EAST AVENUE
 WOODSTOWN, NEW JERSEY 08098
 TITLE: PROPOSED SCOREBOARD LOCATION

DRAWING DATE:
 09 JUN 2020
 REVISION DATE:

DRAWN BY:
 PF
 COMMISSION NO.:
 5652B

A1.0
 1 OF 1

GENERAL NOTES

GENERAL NOTES

- BUILDING CODE - 2018 INTERNATIONAL BUILDING CODE - NJ EDITION
- WIND - 125 MPH EXPOSURE C, I=1.0
- SEISMIC - SDS=0.27 DESIGN CAT B
SD1=0.06 SITE CLASS D
- USE PROPERLY DESIGNED SHORING, BRACING, UNDERPINNING, ETC. AS NECESSITATED BY CONDITIONS OR AS REQUIRED. IT IS THE CONTRACTOR'S SOLE RESPONSIBILITY TO DETERMINE ERECTION PROCEDURE AND SEQUENCE TO ENSURE THE SAFETY OF THE BUILDING AND ITS COMPONENT PARTS DURING ERECTION.
- NO FIELD REVISIONS TO ANY STRUCTURAL COMPONENTS SHALL BE MADE WITHOUT PRIOR APPROVAL BY THE ENGINEER. THIS INCLUDES (BUT IS NOT LIMITED TO) REVISIONS DUE TO MISLOCATION, MISFIT OR ANY OTHER CONSTRUCTION ERROR.
- BRACE ALL WALLS DURING CONSTRUCTION TO PREVENT DAMAGE FROM WIND, WATER, EARTH PRESSURE AND CONSTRUCTION LOADS UNTIL ALL SUPPORTING ELEMENTS ARE IN PLACE AND ARE OF SUFFICIENT STRENGTH.
- NO OPENINGS SHALL BE PLACED IN ANY STRUCTURAL MEMBER (OTHER THAN AS INDICATED ON APPROVED SHOP DRAWINGS) UNTIL THE LOCATION HAS BEEN APPROVED BY THE STRUCTURAL ENGINEER.
- PROVIDE SLEEVE LAYOUTS FOR ALL PIPES AND ELECTRICAL PENETRATIONS THROUGH STRUCTURAL MEMBERS (ALL TRADES ARE INCLUDED). LAYOUTS ARE TO BE SUBMITTED TO THE ENGINEER FOR APPROVAL PRIOR TO CONSTRUCTION.
- STRUCTURAL DRAWINGS ARE TO BE COORDINATED AND USED IN CONJUNCTION WITH THE ARCHITECTURAL, MECHANICAL, PLUMBING AND ELECTRICAL DRAWINGS. SEE MECHANICAL DRAWINGS FOR EQUIPMENT PADS, BASES, SUPPORTS AND DUCT PENETRATIONS.
- ALL MATERIALS AND WORKMANSHIP SHALL BE IN ACCORDANCE WITH THE GOVERNING CODE AND ALL OTHER APPLICABLE FEDERAL, STATE AND LOCAL REGULATIONS.
- WORK NOT INDICATED ON A PART OF THE DRAWINGS BUT REASONABLY IMPLIED TO BE SIMILAR TO THAT SHOWN AT CORRESPONDING PLACES, SHALL BE REPEATED.
- CONTRACTOR SHALL VERIFY AND/OR ESTABLISH ALL EXISTING CONDITIONS AND DIMENSIONS AT THE SITE.
- IF THE EXISTING FIELD CONDITIONS DO NOT PERMIT THE INSTALLATION OF THE WORK IN ACCORDANCE WITH THE DETAILS SHOWN, THE CONTRACTOR SHALL NOTIFY THE ARCHITECT/ENGINEER IMMEDIATELY AND PROVIDE A SKETCH OF THE CONDITION WITH HIS PROPOSED MODIFICATION OF THE DETAILS GIVEN ON THE CONTRACT DOCUMENTS.
- CONTRACTOR SHALL PROVIDE FOR DEWATERING AS REQUIRED DURING EXCAVATION AND CONSTRUCTION.
- BRACING, SHEETING, SHORING, ETC. REQUIRED TO SUPPORT UTILITIES, STRUCTURE, ETC. SHALL BE DESIGNED BY A PROFESSIONAL ENGINEER ENGAGED BY THE CONTRACTOR; DETAILED SHOP DRAWINGS SHALL BE PREPARED INDICATING ALL WORK TO BE PERFORMED.
- IN NO CASE SHALL HEAVY EQUIPMENT BE PERMITTED CLOSER THAN 8 FEET FROM ANY PILE SUPPORTED STRUCTURE. IF THIS OCCURS, THE CONTRACTOR SHALL BE THE SOLELY RESPONSIBLE AND, AT HIS OWN EXPENSE, PROVIDE ADEQUATE SUPPORTS OR BRACE THE PILE SUPPORTED STRUCTURE TO WITHSTAND THE ADDITIONAL LOADS IMPOSED.
- NO BLASTING SHALL BE PERMITTED WITHOUT WRITTEN APPROVAL.
- THE NOTES ON THESE DRAWINGS DO NOT REPLACE THE SPECIFICATIONS, SEE SPECIFICATIONS FOR ADDITIONAL REQUIREMENTS. SHOULD A CONFLICT ARISE BETWEEN THESE NOTES AND SPECIFICATIONS, WRITTEN CLARIFICATIONS SHOULD BE REQUESTED BY THE CONTRACTOR TO THE ARCHITECT/ENGINEER. INCONSISTENCIES SHALL BE BROUGHT TO THE ATTENTION OF THE ARCHITECT/ENGINEER PRIOR TO PROCEEDING WITH THE WORK.
- IF DURING THE PROGRESS OF THE WORK, THE CONTRACTOR MAY DISCOVER ANY INCONSISTENCY IN THE CONTRACT DOCUMENTS, THE CONTRACTOR SHALL REPORT THIS INCONSISTENCY TO THE ARCHITECT/ENGINEER. EXTRAS WILL NOT BE PERMITTED FOR CORRECTION OF DISCREPANCIES THAT COULD HAVE BEEN AVOIDED BY CAREFUL REVIEW AND THE MINOR ADJUSTMENT OF SIZE AND/OR LOCATION OF VARIOUS ITEMS.
- SHOULD THE CONTRACTOR SEEK APPROVAL OF A PRODUCT OTHER THAN SHOWN OR WITHIN THE SPECIFICATIONS, THE CONTRACTOR SHALL FURNISH WRITTEN EVIDENCE THAT THE PROPOSED PRODUCT CONFORMS IN ALL RESPECTS TO THE SPECIFIED PRODUCT.
- THE ENGINEER OF RECORD IS NOT AND SHALL NOT BE HELD LIABLE FOR SITE SAFETY ISSUES. THESE ARE THE RESPONSIBILITY OF THE CONTRACTOR/CONSTRUCTION MANAGER AND THEIR SUBCONTRACTORS.

CONCRETE:

- CONCRETE SHALL HAVE A 28-DAY COMPRESSIVE STRENGTH AND DENSITY, IN ACCORDANCE WITH THE FOLLOWING:

	STRENGTH PSI	DENSITY PCF
EXTERIOR SLABS, CURBS, SIDEWALKS & ALL OTHER CONCRETE (U.N.O.)	4000	145
	3000	145
- SLUMP OF CONCRETE SHALL NOT EXCEED 4" UNLESS A HIGH RANGE WATER-REDUCING ADMIXTURE IS USED. THE SLUMP OF CONCRETE PRIOR TO ADDITION OF A HIGH RANGE WATER-REDUCING ADMIXTURE SHALL NOT EXCEED 4".
- CONCRETE EXPOSED TO WEATHER SHALL BE AIR-ENTRAINED. AIR CONTENT SHALL BE BETWEEN 4 AND 8 PERCENT.
- THE NOMINAL MAXIMUM AGGREGATE SIZE SHALL BE A MINIMUM OF 3/4".
- THE MINIMUM PORTLAND CEMENT CONTENT PER CUBIC YARD (ASTM C150) OF ALL CONCRETE SHALL CONFORM TO THE FOLLOWING TABLE (FLASH NOT PERMITTED).

SPECIFIED COMPRESSIVE STRENGTH (PSI)	MINIMUM CEMENT CONTENT (POUNDS PER CUBIC YARD)	
	NON-AIR ENTRAINED CONCRETE	AIR ENTRAINED CONCRETE
3000	495	517
4000	564	611
- CONTRACTOR SHALL SUBMIT CONCRETE MIX DESIGNS FOR REVIEW WELL IN ADVANCE OF CONCRETE PLACEMENT. CONCRETE MIX DESIGN SHALL INCLUDE ALL STRENGTH DATA NECESSARY TO SHOW COMPLIANCE WITH THE PROJECT SPECIFICATIONS FOR EITHER THE TRIAL BATCH OR FIELD EXPERIENCE METHOD AND SHALL BE CERTIFIED BY AN ENGINEER REGISTERED IN THE STATE WHERE THE STRUCTURE IS LOCATED.

- ALL REINFORCING SHALL BE SUPPORTED IN FORMS, SPACED WITH NECESSARY ACCESSORIES AND SHALL BE SECURELY WIRED TOGETHER, IN ACCORDANCE WITH ACI 308 MANUAL OF STANDARD PRACTICE (1986).
- MINIMUM CONCRETE COVER, UNLESS NOTED OTHERWISE:

UNFORMED SURFACE IN CONTACT WITH THE GROUND.	3 IN.
FORMED SURFACES EXPOSED TO EARTH OR WEATHER.	
#6 BARS AND LARGER	2 IN.
#5 BARS AND SMALLER	1-1/2 IN.
FORMED SURFACES NOT EXPOSED TO EARTH OR WEATHER:	
BEAMS, GIRDERS, AND COLUMNS	1 1/2 IN.
SLABS, WALLS, AND JOISTS	3/4 IN.
#11 BARS AND SMALLER	3/4 IN.
#14 AND #18 BARS	1 1/2 IN.
- BASE PLATES, ANCHOR BOLTS, SUPPORT ANGLES, ETC. BELOW GRADE SHALL BE COVERED WITH A MINIMUM OF 3" OF CONCRETE.
- CONCRETE WORK SHALL BE SUBJECT TO QUALITY ASSURANCE TESTING AND INSPECTIONS. SEE QUALITY ASSURANCE GENERAL NOTES AND PROJECT SPECIFICATIONS.
- CONCRETE MATERIALS AND WORKMANSHIP SHALL BE IN ACCORDANCE WITH ACI 318-89 (REVISED 1992) BUILDING CODE REQUIREMENTS FOR REINFORCED CONCRETE AND ACI 301-89 SPECIFICATIONS FOR STRUCTURAL CONCRETE FOR BUILDINGS.
- BAR SUPPORTS IN CONTACT WITH EXPOSED SURFACES SHALL BE PLASTIC TIPPED. ALL ACCESSORIES SHALL BE GALVANIZED.
- NO CALCIUM CHLORIDE SHALL BE USED IN ANY CONCRETE. NO WATER SHALL BE ADDED AT THE JOB SITE TO CONCRETE MIX.
- THE CONTRACTOR IS RESPONSIBLE FOR THE PROPER DESIGN AND CONSTRUCTION OF ALL FORM WORK, SHORING AND RESHORING. PROVIDE COMMERCIAL FORM COATING COMPOUNDS THAT WILL NOT BOND, STAIN OR ADVERSELY AFFECT CONCRETE SURFACES.
- ALL CONCRETE SHALL BE CONSOLIDATED IN PLACE USING INTERNAL VIBRATOR. DO NOT USE VIBRATORS TO TRANSPORT CONCRETE WITHIN FORMS.
- PLACEMENT OF CONCRETE SHALL NOT START UNTIL THE PLACEMENT OF REINFORCING STEEL HAS BEEN APPROVED BY OWNER'S INSPECTING AGENCY.
- BONDING AGENT SHALL BE USED WHERE NEW CONCRETE IS PLACED AGAINST EXISTING CONCRETE.
- CONCRETE SHALL NOT BE PLACED IN WATER OR ON FROZEN GROUND.
- COMPLETE SHOP DRAWINGS AND SCHEDULES OF ALL REINFORCING STEEL SHALL BE PREPARED BY THE CONTRACTOR AND SUBMITTED TO THE ENGINEER FOR REVIEW.
- WELDING OF REINFORCEMENT IS NOT PERMITTED.
- FOR ALL OPENINGS IN CONCRETE WALLS AND SLABS, PROVIDE SUPPLEMENTAL REINFORCING AROUND OPENINGS.
- THE FINISH TOLERANCE OF ALL SLABS SHALL BE IN ACCORDANCE WITH ACI 302 AND THAT SPECIFIED ON THE CONTRACT DOCUMENTS.
- PROVIDE GALVANIZED STEEL SLEEVES WHERE PIPES PASS THROUGH EXTERIOR CONCRETE WALLS, BEAMS OR SLABS. PROVIDE PVC SLEEVES WHERE PIPES PASS THROUGH INTERIOR CONCRETE WALLS, BEAMS OR SLABS.
- DO NOT PLACE UNDERGROUND UTILITIES OR PIPES BELOW FOOTINGS. IF ANY SUCH CONDITIONS OCCUR, NOTIFY THE ENGINEER IMMEDIATELY AND DROP THE BOTTOM OF FOOTING ELEVATION IN ACCORDANCE WITH THE TYPICAL STEP FOOTING DETAIL TO CLEAR PIPE.

STRUCTURAL STEEL:

- STEEL SHALL CONFORM TO THE FOLLOWING GRADES:

ALL WF	A992 (Fy=50 KSI)
ALL CHANNELS, ANGLES, PLATES, ETC. (UNO)	A36 (Fy=36 KSI)
STRUCTURAL TUBE	A500 (Fy=46 KSI)
STEEL PIPE	A53 (Fy=35 KSI)
ANCHOR BOLTS	A307
BOLTS	A325
WELDING ELECTRODES	E70XX
- ALL STRUCTURAL STEEL SHALL BE DETAILED, FABRICATED AND ERECTED IN ACCORDANCE WITH THE AISC CODE OF STANDARD PRACTICE (1989), EXCEPT AS MODIFIED IN THESE NOTES AND THE PROJECT SPECIFICATIONS.
- THE FABRICATOR IS RESPONSIBLE FOR THE DESIGN OF ALL CONNECTIONS. CONNECTIONS SHOWN ON THE STRUCTURAL DRAWINGS ARE SCHEMATIC AND ARE ONLY INTENDED TO SHOW THE RELATIONSHIP OF MEMBERS CONNECTED. CONNECTION DETAILS INDICATED ON THE DRAWINGS SHALL BE INCORPORATED INTO FABRICATOR'S CONNECTION DESIGN. SEE SPECIFICATIONS. ALL SHOP DRAWINGS SHALL BE SIGNED AND SEALED BY THE FABRICATOR'S ENGINEER WITH THE ENGINEER'S SEAL FOR THE STATE WHERE THE STRUCTURE IS LOCATED. ENGINEER'S SEAL MAY BE QUALIFIED FOR DESIGN OF CONNECTIONS ONLY.
- SPLICING OF STEEL MEMBERS, UNLESS SHOWN ON THE DRAWINGS, IS PROHIBITED WITHOUT WRITTEN APPROVAL OF THE ARCHITECT.
- UNLESS NOTED OTHERWISE, BEAMS SHALL BEAR 8" MINIMUM ON CONCRETE OR MASONRY. UNLESS NOTED OTHERWISE, ANCHOR BEAMS TO MASONRY WITH TWO (2) 3/4" DIAMETER ANCHOR BOLTS WITH 4" HOOK AND 1"-4" EMBEDMENT.
- STRUCTURAL STEEL WORK SHALL BE SUBJECT TO QUALITY ASSURANCE TESTING AND INSPECTIONS. SEE QUALITY ASSURANCE GENERAL NOTES AND PROJECT SPECIFICATIONS.
- BOLTED CONNECTIONS SHALL USE A MINIMUM OF (2) 3/4 INCH DIAMETER HSB UNLESS NOTED OTHERWISE.
- WELDING SHALL BE PERFORMED WITH E70XX ELECTRODES. ALL WELDING SHALL BE PERFORMED BY QUALIFIED WELDERS AND SHALL CONFORM TO THE AWS D1.1 STRUCTURAL WELDING CODE.
- AFTER FABRICATIONS, ALL STEEL SHALL BE CLEANED OF ALL RUST, LOOSE MILL SCALE AN OTHER FOREIGN MATERIALS PRIOR TO THE APPLICATION OF TWO COATS OF SHOP PRIMER.
- STEEL ANGLES AND PLATES ALONG WITH BOLTS AND WASHERS, IN DIRECT AND PERMANENT CONTACT WITH EXTERIOR FINISH MASONRY, AND ALL EXPOSED STRUCTURAL STEEL, SHALL BE HOT-DIPPED GALVANIZED.

- STEEL SURFACES WITHIN 4 INCHES OF FIELD WELDS SHALL BE CLEANED AND GROUND SMOOTH. AFTER WELDING COAT SURFACE WITH PRIMER/PAIN.
- FULL DEPTH DOUBLE ANGLE END CONNECTIONS ARE TO BE USED ON ALL GIRDER AND BEAM CONNECTIONS.
- PROVIDE A MINIMUM OF 3/8 INCH THICK FULL DEPTH THRU-PLATE FOR ALL PIPE AND TUBE COLUMN CONNECTIONS.
- ALL CONNECTIONS SHALL BE DESIGNED FOR THE GREATER OF THE REACTIONS GIVEN ON THE FRAMING PLANS OR 1/2 THE AISC UNIFORM LOAD CAPACITY OF THE BEAM UNLESS A MORE STRINGENT CRITERIA IS GIVEN ON THE CONTRACT DOCUMENTS.
- ALL STEEL TO OTHER METAL CONNECTIONS ARE TO BE TREATED OR PROPERLY SEPARATED TO PREVENT GALVANIC AND CORROSIVE EFFECTS.
- FABRICATE BEAMS WITH THE NATURAL CAMBER UP.
- ALL STEEL NOT RECEIVING FIREPROOFING SHALL BE PAINTED WITH THE FABRICATOR'S RUST INHIBITIVE PRIMER. OMIT PAINT AT SLIP CRITICAL CONNECTIONS.
- NON-SHRINK GROUT FOR COLUMN BASE PLATES SHALL BE PREMIKED, NONMETALLIC GROUT COMPLYING WITH ASTM C-1107.
- ALL STEEL EXPOSED TO WEATHER SHALL BE HOT DIPPED GALVANIZED.

MISCELLANEOUS:

- STRUCTURAL DRAWINGS ARE INTENDED TO BE USED WITH ARCHITECTURAL AND MECHANICAL DRAWINGS. CONTRACTOR IS RESPONSIBLE FOR COORDINATING SUCH REQUIREMENTS INTO THEIR SHOP DRAWINGS AND WORK.
- NO OPENINGS SHALL BE MADE IN ANY STRUCTURAL MEMBER WITHOUT THE WRITTEN APPROVAL OF THE PROFESSIONAL OF RECORD.
- NO CHANGE IN SIZE OR DIMENSION OF STRUCTURAL MEMBERS SHALL BE MADE WITHOUT THE WRITTEN APPROVAL OF THE PROFESSIONAL OF RECORD.
- THE CONTRACTOR IS RESPONSIBLE FOR LIMITING THE AMOUNT OF CONSTRUCTION LOAD IMPOSED UPON STRUCTURAL FRAMING. CONSTRUCTION LOADS SHALL NOT EXCEED THE DESIGN CAPACITY OF THE FRAMING AT THE TIME THE LOADS ARE IMPOSED.
- THE STRUCTURE IS DESIGNED TO FUNCTION AS A UNIT UPON COMPLETION. THE CONTRACTOR IS RESPONSIBLE FOR FURNISHING ALL TEMPORARY BRACING AND/OR SUPPORT THAT MAY BE REQUIRED AS THE RESULT OF THE CONTRACTOR'S CONSTRUCTION METHODS AND/OR SEQUENCES.
- DO NOT SCALE THESE DRAWINGS, USE DIMENSIONS.
- CONTRACTOR'S CONSTRUCTION AND/OR ERECTION SEQUENCES SHALL RECOGNIZE AND CONSIDER THE EFFECTS OF THERMAL MOVEMENTS OF STRUCTURAL ELEMENTS DURING THE CONSTRUCTION PERIOD.
- THE CONTRACTOR SHALL INFORM THE PROFESSIONAL OF RECORD IN WRITING OF ANY DEVIATION FROM THE CONTRACT DOCUMENTS. THE CONTRACTOR SHALL NOT BE RELIEVED OF THE RESPONSIBILITY OF SUCH DEVIATION BY THE PROFESSIONAL OF RECORD REVIEW OF SHOP DRAWINGS, PRODUCT DATA, ETC., UNLESS THE CONTRACTOR HAS SPECIFICALLY INFORMED THE PROFESSIONAL OF RECORD OF SUCH DEVIATION AT THE TIME OF SUBMISSION, AND THE PROFESSIONAL OF RECORD HAS GIVEN WRITTEN APPROVAL TO THE SPECIFIC DEVIATION.

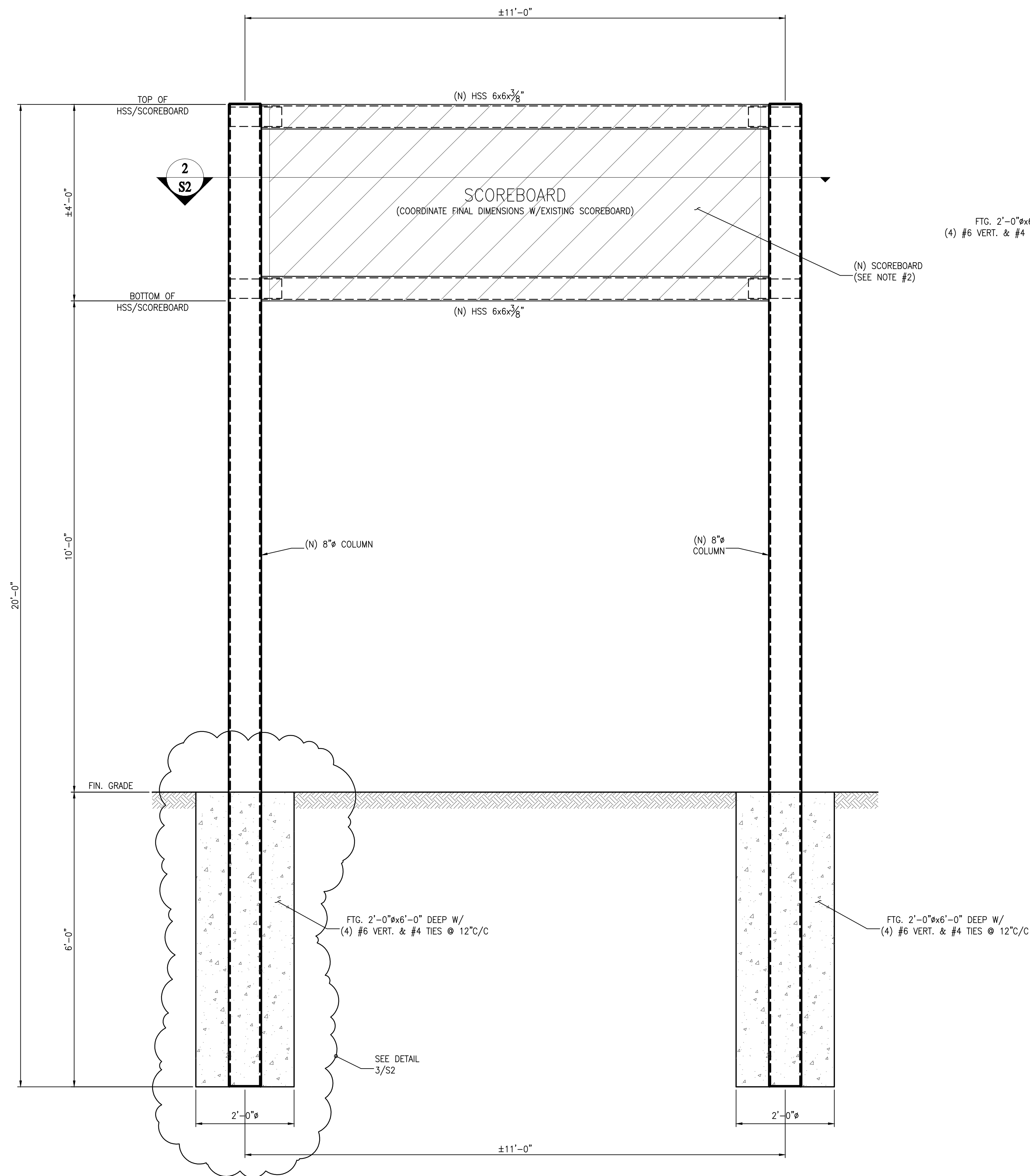
QUALITY ASSURANCE:

- FAILURE OF QUALITY ASSURANCE TESTING AND INSPECTIONS TO DETECT ANY DEFECTIVE WORK OR MATERIAL SHALL NOT IN ANY WAY PREVENT LATER REJECTION WHEN SUCH DEFECT IS NOTED NOR SHALL IT OBLIGATE THE OWNER'S REPRESENTATIVE FOR FINAL ACCEPTANCE.
- RECORDS OF INSPECTIONS SHALL BE KEPT AVAILABLE TO THE BUILDING OFFICIAL DURING PROGRESS OF THE WORK AND FOR TWO YEARS AFTER COMPLETION OF THE PROJECT. RECORDS SHALL BE PRESERVED BY THE INDEPENDENT TESTING AGENCY.

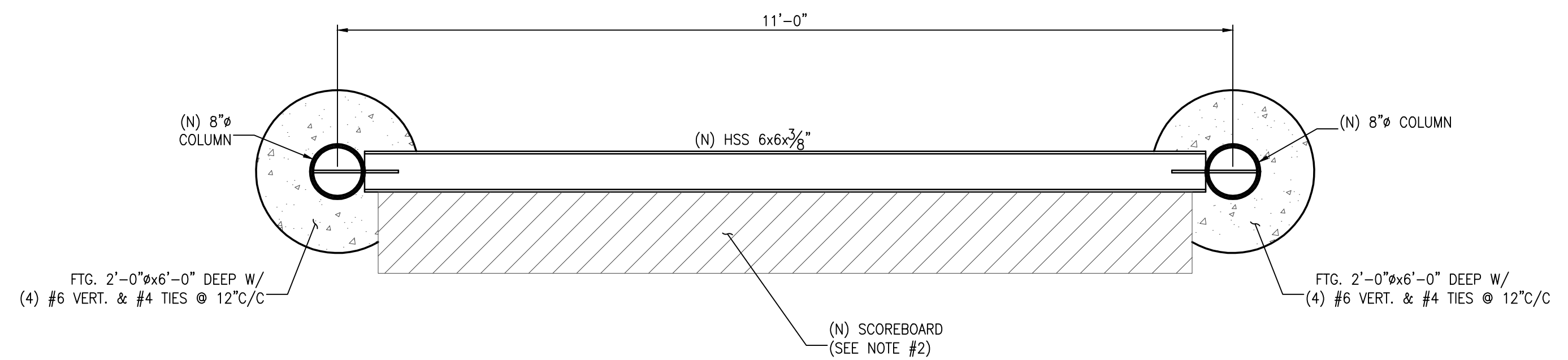
NOTE:

ALL SUB-CONTRACTORS SHALL BE RESPONSIBLE FOR REVIEWING ALL DRAWINGS AND ALL SECTIONS OF THE SPECIFICATIONS FOR THE COORDINATION OF THEIR WORK. ANY DISCREPANCIES SHALL BE REPORTED TO THE ARCHITECT BEFORE FINALIZING THEIR BIDS. CONTRACTOR SHOULD FIELD VERIFY ALL DIMENSIONS.

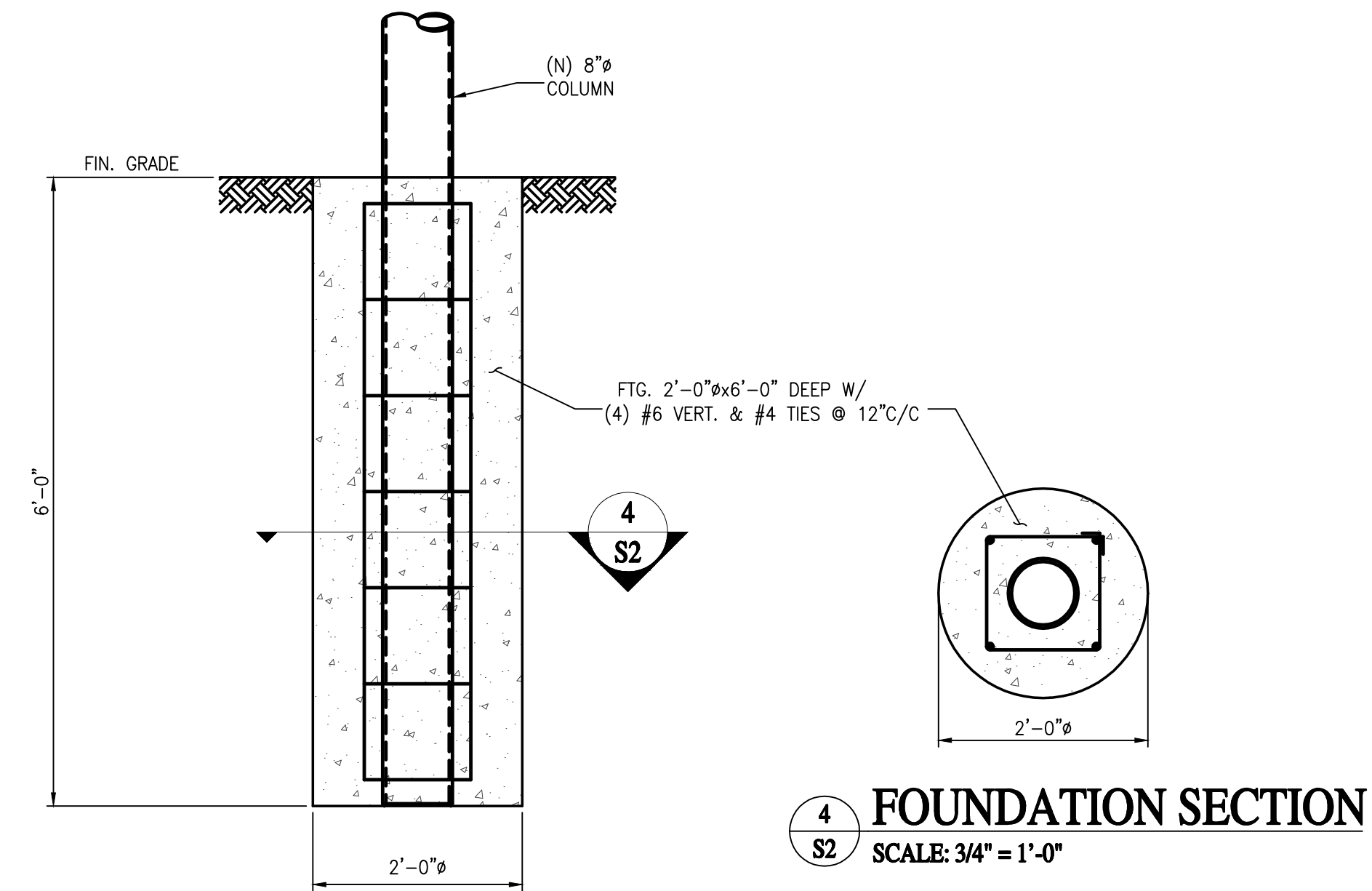
REV	DATE	REVISION DESCRIPTION	REV	DATE	REVISION DESCRIPTION
SE2 ENGINEERING, LLC. - PROFESSIONAL ENGINEERS - 1705 BUTLER PIKE, CONSHOHOCKEN, PA. 19428 TEL: (610) 838-1550 E-MAIL: OFFICE@SE2ENG.NET					
STRUCTURAL GENERAL NOTES Project: WOODSTOWN HIGH SCHOOL - SCOREBOARD 140 EAST AVENUE WOODSTOWN, NJ 08098					
SEAL:					
Dwn by:		Date:			
SLD		6/9/2020			
Scale: AS NOTED					
Job#: 20-196					
Sheet#: S1					
1 of 2					



1 SCOREBOARD ELEVATION VIEW
SCALE: 3/4"=1'-0"



2 SCOREBOARD PLAN VIEW
SCALE: 3/4"=1'-0"



3 TYP. COLUMN/FOOTING DETAIL
SCALE: 3/4"=1'-0" (2 LOCATIONS TYP.)

4 FOUNDATION SECTION
SCALE: 3/4"=1'-0"

NOTES:

- ALL EXPOSED STEEL SHALL BE PRIMED & PAINTED WITH 2 COATS OF EXTERIOR GRADE PAINT. COLOR AS SELECTED BY THE OWNER.
- SCOREBOARD SHALL BE PROVIDED BY THE OWNER AND INSTALLED BY THE CONTRACTOR. CONTRACTOR TO FIELD MEASURE THE SCOREBOARD TO ENSURE A PROPER FIT & PROVIDE ALL CLIPS & HARDWARE PER MANUFACTURE.
- COORDINATE WITH OWNER'S ELECTRICAL CONTRACTOR REGARDING ELECTRICAL WORK AND CONNECTIONS.
- CONTRACTOR TO CAREFULLY MEASURE EXISTING SCOREBOARD & TO CONFIRM PROPER MOUNTING METHODS AND SECUREMENT DETAILS PRIOR TO STEEL FABRICATION.
- ERECT SCOREBOARD AND SECURE TO STEEL STRUCTURE PER SCOREBOARD MANUFACTURER'S INSTALLATION REQUIREMENTS.
- PROVIDE DETAILED STEEL SHOP DRAWINGS FOR REVIEW & APPROVAL.

REV	DATE	REVISION DESCRIPTION

SE2 ENGINEERING, LLC.
PROFESSIONAL ENGINEERS -
1705 BUTLER PIKE, CONSHOHOCKEN, PA. 19428
TEL: (610) 838-1550 E-MAIL: OFFICE@SE2ENG.NET

SE2

SCOREBOARD ELEVATION & PLAN W/DETAILS
Project: **WOODSTOWN HIGH SCHOOL - SCOREBOARD**
140 EAST AVENUE
WOODSTOWN, NJ 08098

SEAL:	
Dwn by: SLD	Date: 6/9/2020
Scale: AS NOTED	
Job#: 20-196	
Sheet: S2	